

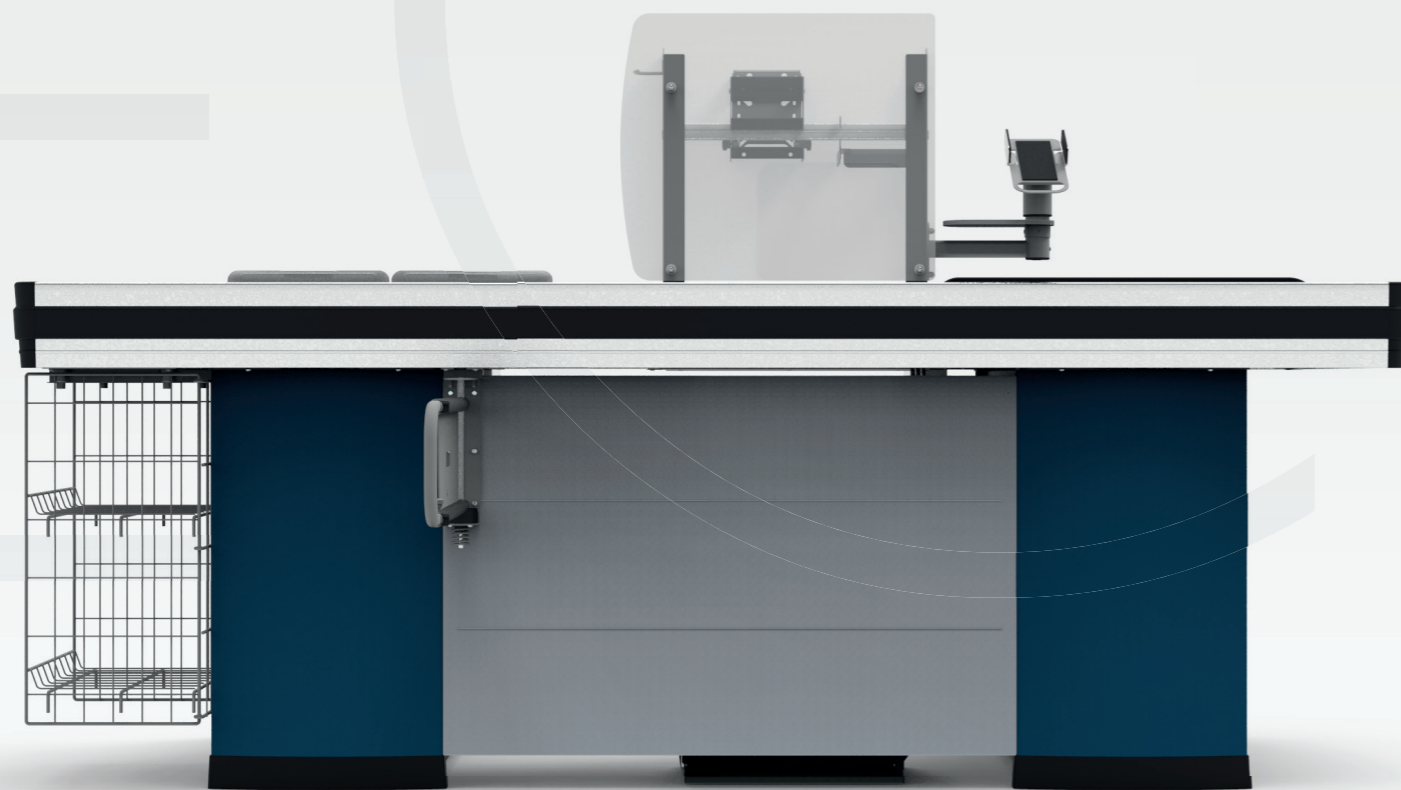
# ECK

## CHECK-OUT COUNTER LINE

A simple and defined style characterises the new Intrac check-out counters line.

ECK line is featured by high level components and technology, that guarantee the quality standard of the brand.

According to different requires we can customise the check out in its aesthetic and functional aspect, improving the workplace conditions and the purchasing experience.



# CHECK-OUT COUNTER LINE

# ECK PSCV

- Area**
- HYPERSTORE
  - SUPERSTORE
  - CONVENIENCE STORE
  - SPECIALISED SHOP
  - DISCOUNT
  - CASH & CARRY

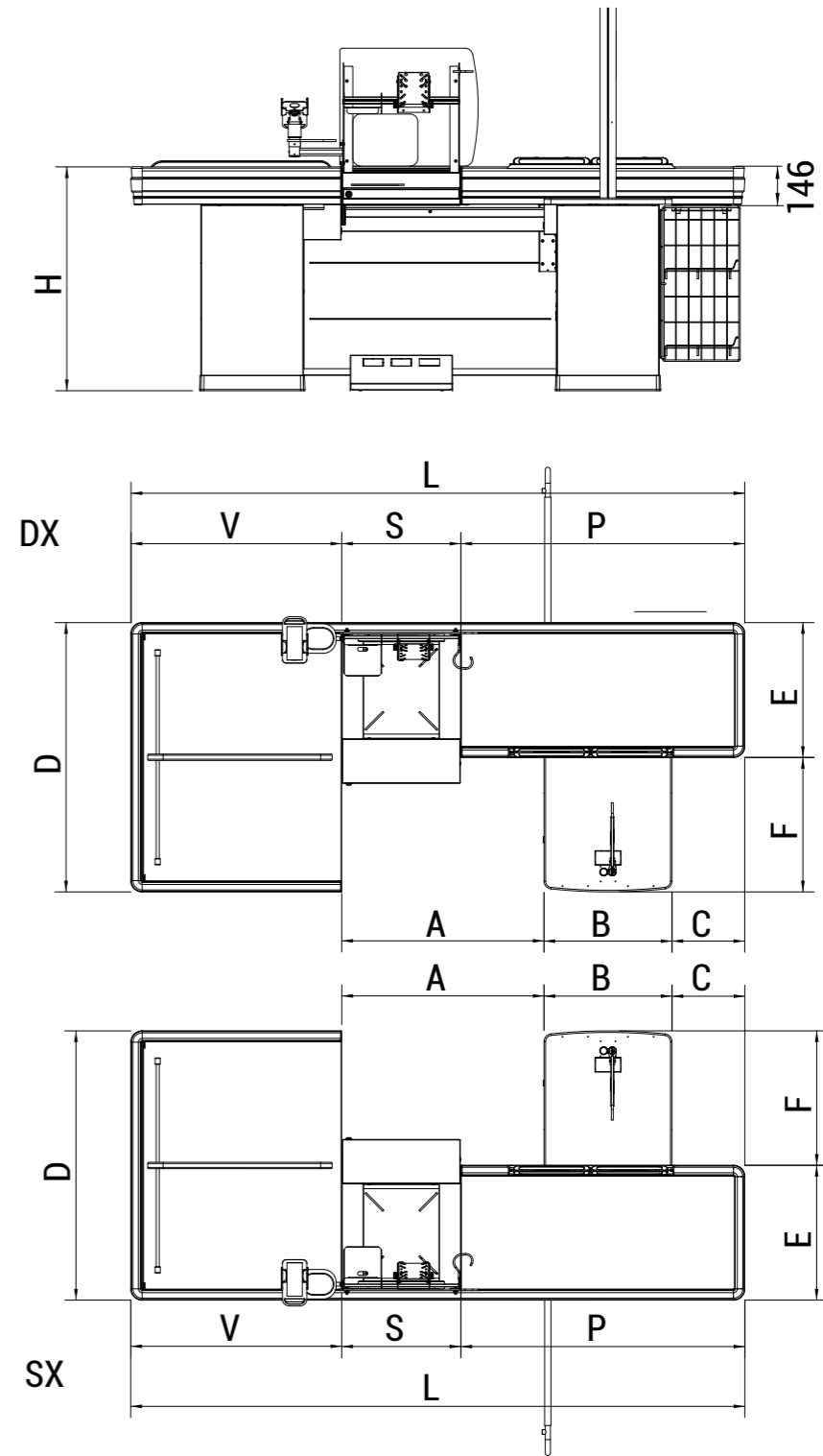
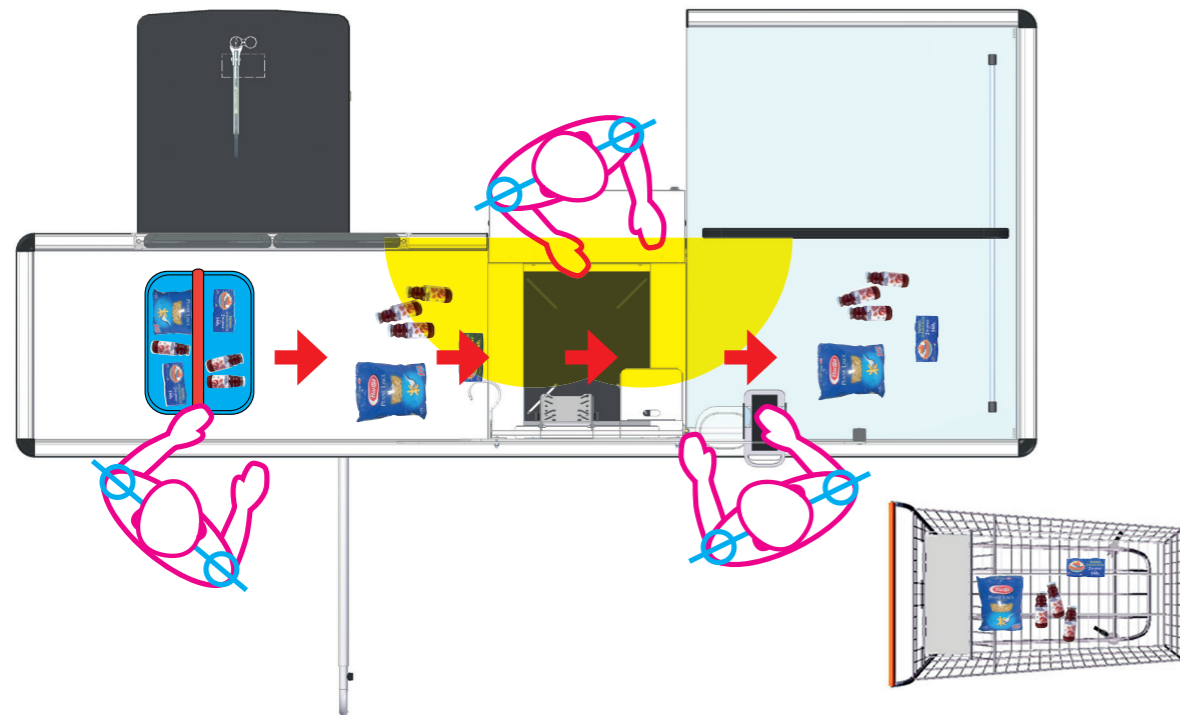
- Medium Receipt Entity**
- <20 €
  - 20÷40 €
  - >40 €

- Ergonomics Operator**
- BASSA
  - MEDIUM
  - ALTA

- Control Level**
- CASHIER
  - DIY
  - SELF SCAN
  - AUTOMATIC SCAN
  - TROLLEY
  - CASH MANAGEMENT
  - RF/MAG TAG
  - OPERATOR
  - OPERATOR/CUSTOMER
  - CUSTOMER

- Livello di Servizio al Cliente**
- LOW
  - NORMAL (EUROPEAN STANDARD)
  - HIGH
  - EXTRA FOR DISABLED
  - EXTRA FOR PREGNANT
  - EXTRA FOR ONE QUEUE

## ERGONOMICS - grasping area



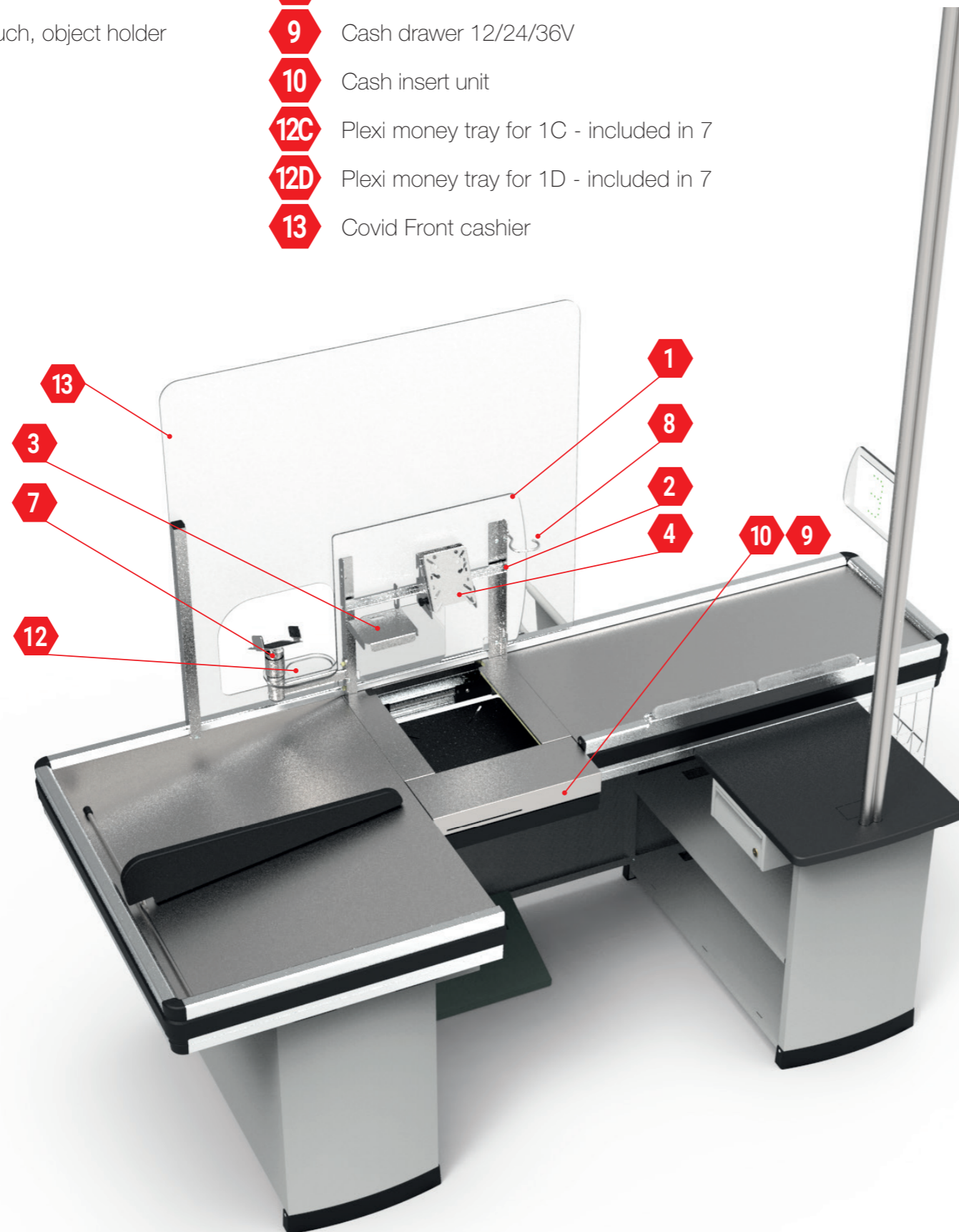
## MODEL

Model	L (mm) standard* drawer	N (mm)	S (mm) standard* drawer	V (mm)	A (mm)	B (mm)	C (mm)	D (mm)	E (mm)	F (mm)	H (mm)
PSCV 180	1800	710	465	625	675	500	0	1050	525	525	870
PSCV 200	2000	710	465	825	675	500	0	1050	525	525	870
PSCV 220	2200	910	465	825	800	500	75	1050	525	525	870
PSCV 240	2400	1110	465	825	800	500	275	1050	525	525	870

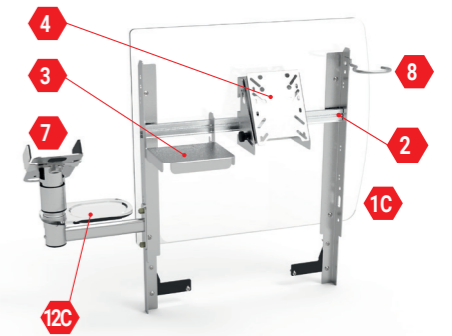
\* Width = 460mm  
12006999\_ECK-PSCV - Rev 01 05-2021

# FRONT CASHIER ACCESSORIES

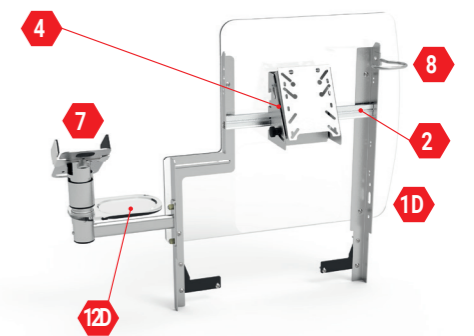
- 1** Scanner protection
- 2** Connection for keyboard, touch, object holder
- 3** Object holder
- 4** Keyboard-touch support
- 5** Wide-angle lens
- 7** Supporto pin pad rotante
- 8** Scanner holding hook
- 9** Cash drawer 12/24/36V
- 10** Cash insert unit
- 12C** Plexi money tray for 1C - included in 7
- 12D** Plexi money tray for 1D - included in 7
- 13** Covid Front cashier



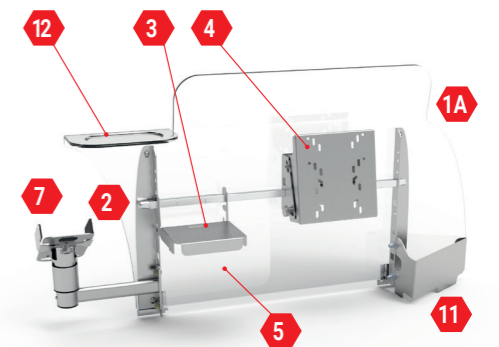
# ECK PSCV



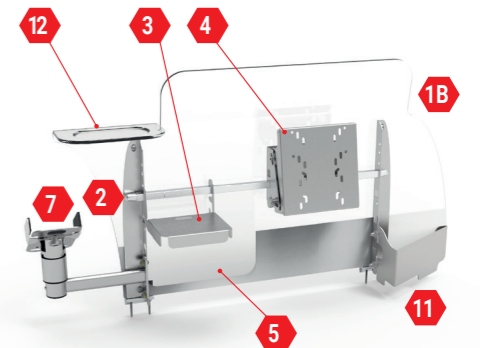
**1C** ECK scanner protection set



**1D** ECK-9800 scanner protection set



**1A** S-ELIPSE scanner protection set



**1B** S-ELIPSE scanner protection set with opaque set

# CUSTOMER SERVICE ACCESSORIES

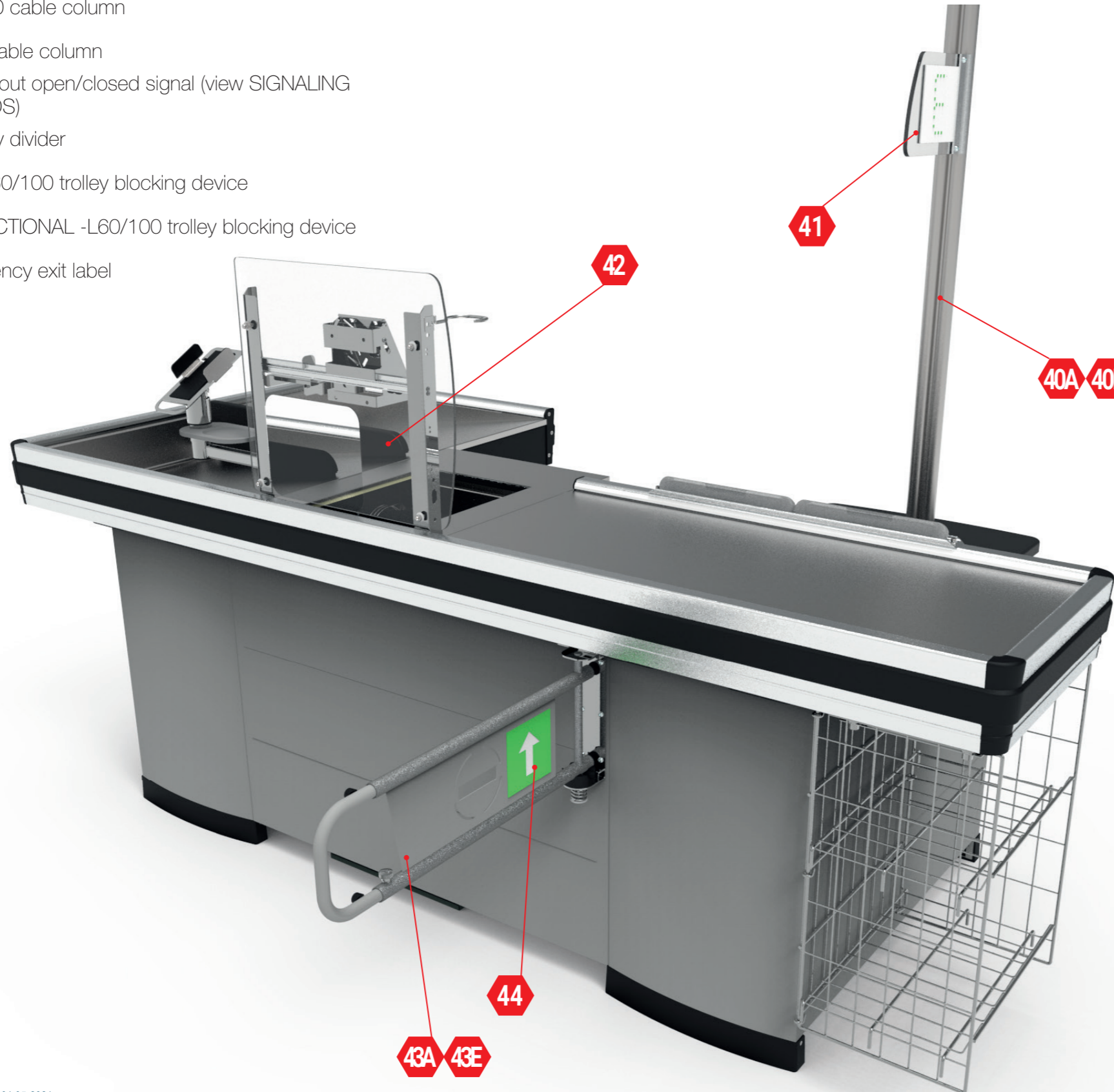
- 20A** Auxiliary socket 2 Schuko
- 20B** Auxiliary socket 4 Schuko
- 21** Additional cables support standard
- 23A** Front cpu-service fixed shelf
- 23B** Rear cpu-service fixed shelf
- 25** Fastening to the ground assembly
- 26** Check-out stool with back
- 27** Adjustable footboard with pedal housing
- 28** Under basin drawer
- 29** Under shelf drawer
- 34** Internal base leg integrated
- 36** Half-leg closing door with cpu-service fixed shelf



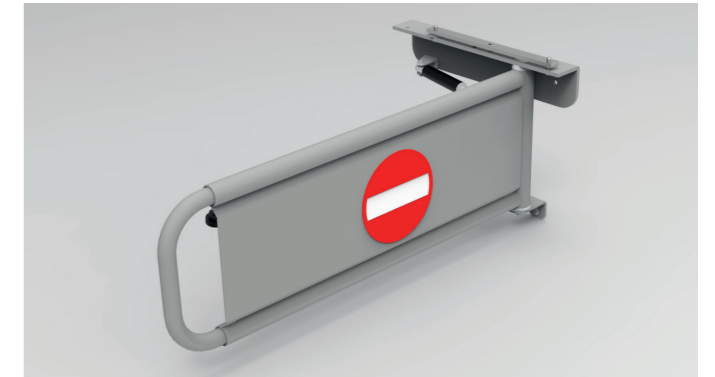
**20** Auxiliary socket

# FUNCTION ENHANCEMENT ACCESSORIES

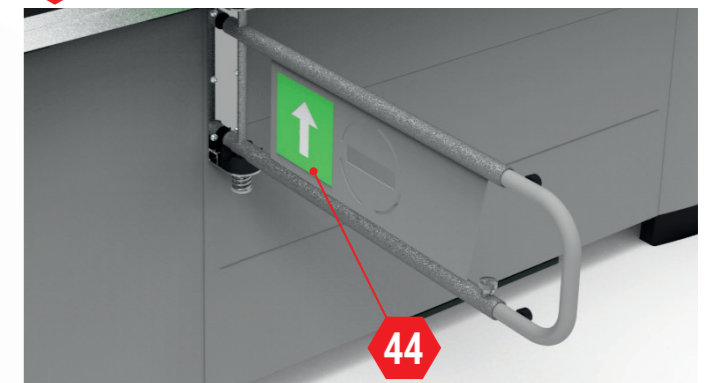
- 40A** 100X70 cable column
- 40B** 2X30 cable column
- 41** Check-out open/closed signal (view SIGNALING BOARDS)
- 42** Grocery divider
- 43A** H20-L60/100 trolley blocking device
- 43E** BIDIRECTIONAL -L60/100 trolley blocking device
- 44** Emergency exit label



**40** Cable column



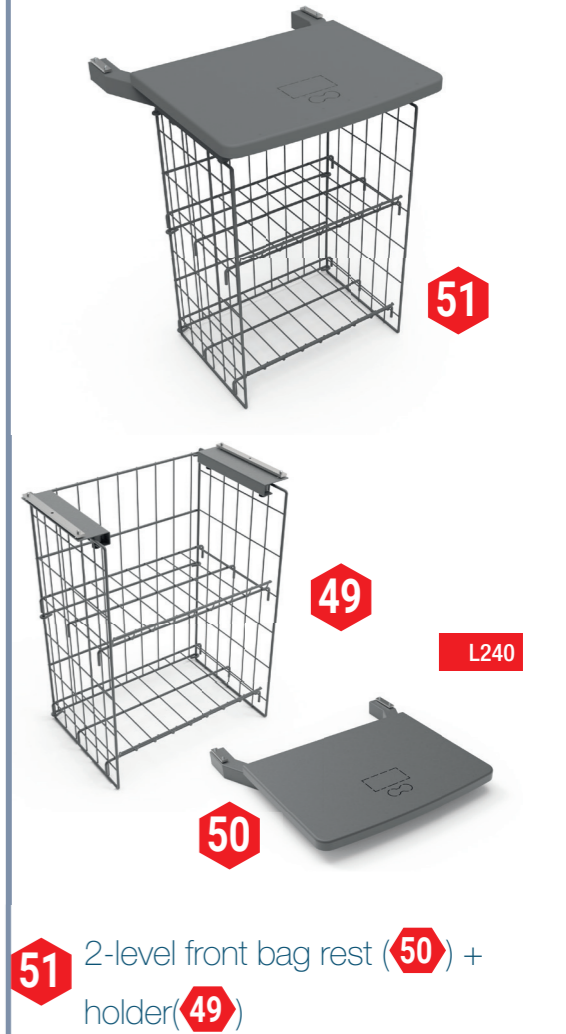
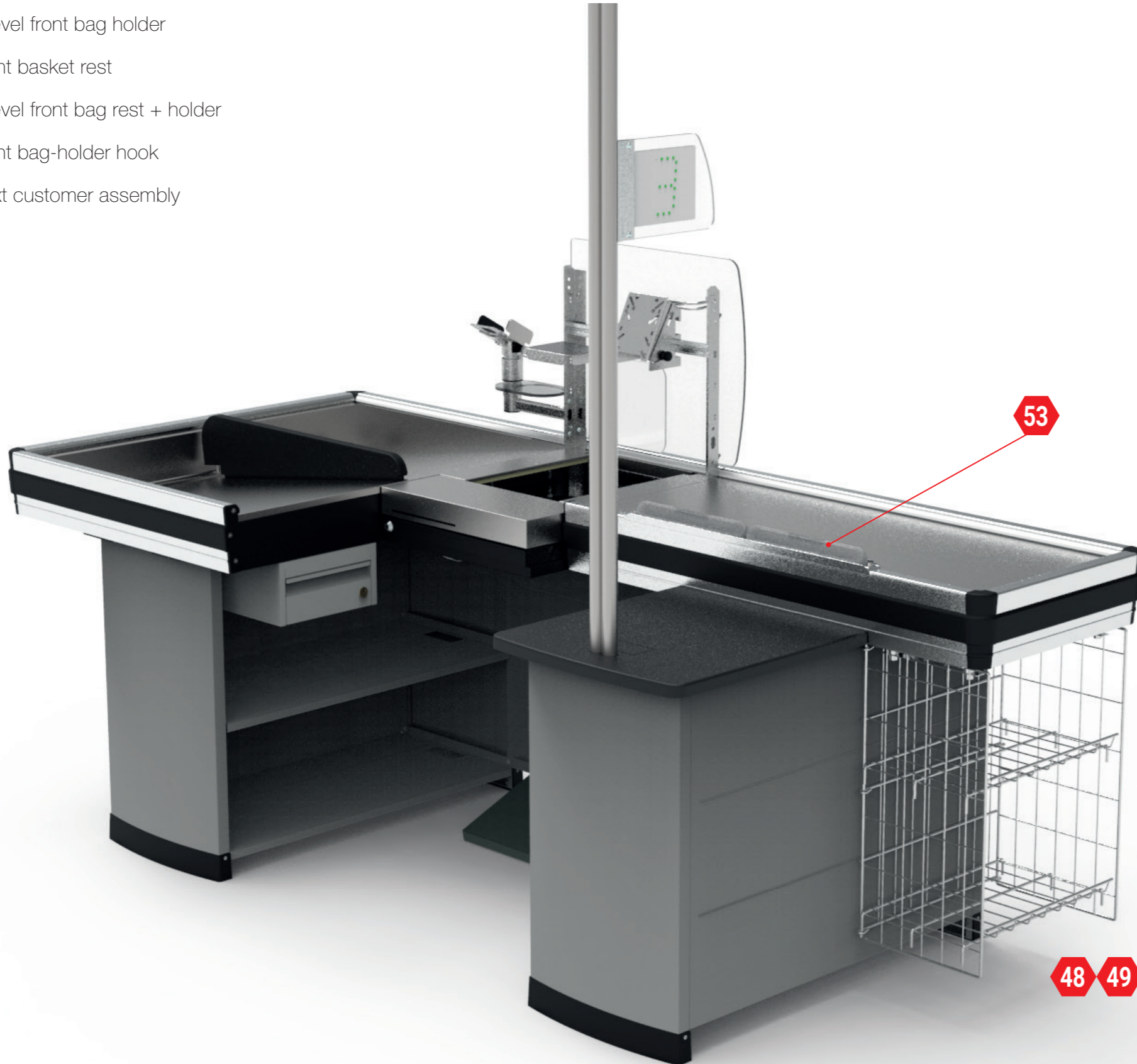
**43A** Trolley blocking device



**43E** BIDIRECTIONAL Trolley blocking device

# FUNCTION ENHANCEMENT ACCESSORIES

- 49 2-level front bag holder
- 50 Front basket rest
- 51 2-level front bag rest + holder
- 52 Front bag-holder hook
- 53 Next customer assembly



51 2-level front bag rest (50) + holder (49)



52 Front bag-holder hook

**INTRAC**  
RETAIL SOLUTIONS

45100 ROVIGO - Italy - Via A. Grandi, 24 - Tel. +39 0425 363666 - Fax +39 0425 363600  
e-mail: [info@intrac.it](mailto:info@intrac.it)  
[www.intrac.it](http://www.intrac.it)