

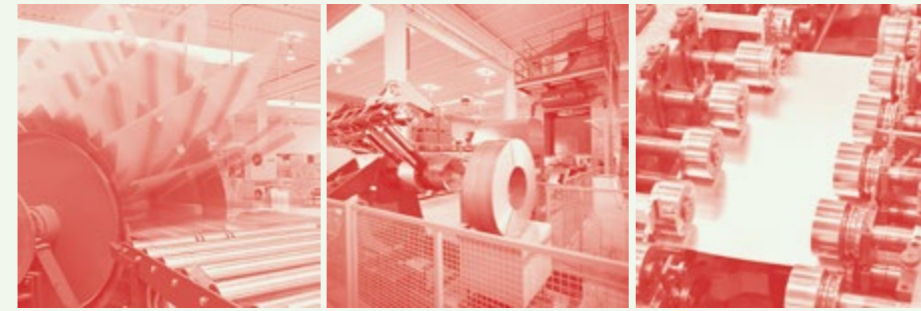
**INTRAC**<sup>®</sup>  
DESIGN & DISPLAY

CHECKOUT  
COUNTERS

**EXCLUSIVE DESIGN** TIMELESS ELEGANCE

**DIVA**

# ABOUT INTRAC



## INTRAC was established as a brand in 1997

The origin is ARNEG S.p.A., a parent company specializing in the production of refrigerated counters for large and small retailers, commercial shelving and cold storage.

In 1997 it realized the usefulness of making a differentiation of production, guaranteeing it a distinct visibility. From this idea **INTRAC**, an acronym for “**International Rack**”, was born.

Since 1999 in the Rovigo plant, we have been producing **commercial and industrial shelves, displays for any kind of merchandise** and **checkout counters**, destined for the **food** and **non-food** sectors.

The company covers an area of **100,000 m<sup>2</sup>**, of which **40,000 m<sup>2</sup>** is covered, dedicated both to

offices and showrooms and to production. The sheet metal processing facilities are of advanced design: sheet and tube laser cutting, automatic press brakes, state-of-the-art stamping and roll forming lines; the epoxy powder coating plant meets the strictest environmental safety regulations.

Here, to this day, **ideas, new sales formats** and **retail design projects** take shape, meeting our customers' demands, with the supply of **custom-made furniture** for stores, bars and fast food restaurants.

**INTRAC** is the only **ARNEG Group** company specializing in commercial furniture.

# INTRAC



# FEATURES

**DIVA** is our elegant line of checkout counters, a synthesis of **ergonomics** and **functionality**. The soft geometries and fine materials used give it a distinctive aesthetic, inscribed in current trends. The wide range of accessories completes the offer and meets all the needs of small, medium and large retailers.

Checkout counters **DIVA**, thanks to their structural and aesthetic features, are the ideal solution for both **furnishing** and **optimising the management of payment and customer flow** within shops, supermarkets or hypermarkets.



**Upper structure** in anodized aluminium and painted steel, with soft, shock-proof polyurethane gables and a black hard PVC bumper profile.



**Supporting lower structure** made of painted steel, rounded and oblique in shape. Floor protection by means of black ABS plastic plinths, paintable housing, optional floor fastening.



**Front module** with black antistatic PVC and polyester double ply belt. High power drive motor, oil-cooled, soft start optional. Double sensor photocells for added safety.



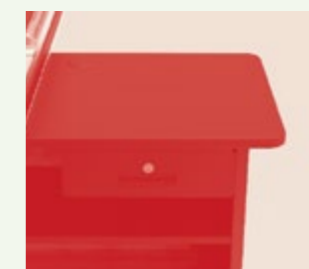
**Central module** made of rigidized AISI 304 steel available in 350 mm with scanner setup or 550 mm with scanner setup and cash drawer.



**Rear module** with inclined bagging area in rigidized AISI 304 steel, made in a single mould to guarantee maximum hygiene, complete with shockproof, self-extinguishing and smoke-proof soft black polyurethane bumper front.



Touch-type **electronic control panel** housed in an ergonomic position for managing all checkout counter functions.



**Register shelf** in black scratch-resistant melamine-faced wood with ABS perimeter profile, for operator service.



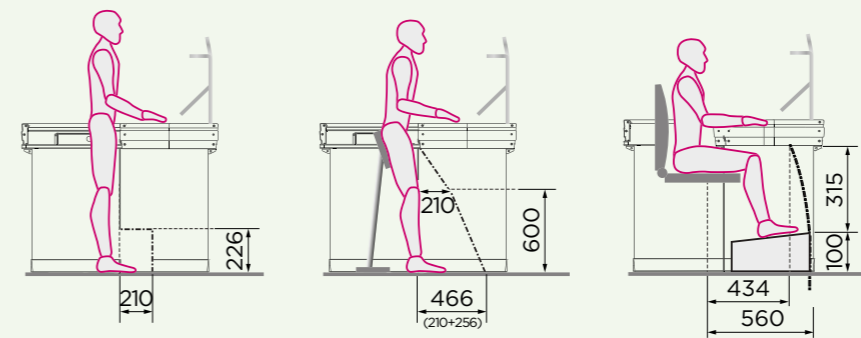
# ERGONOMICS

We always pay attention to our customers and design each checkout counter according to both the **actions performed by the operator**, paying attention to repetitive movements and weight shifting, and the **working position**, sitting or standing.

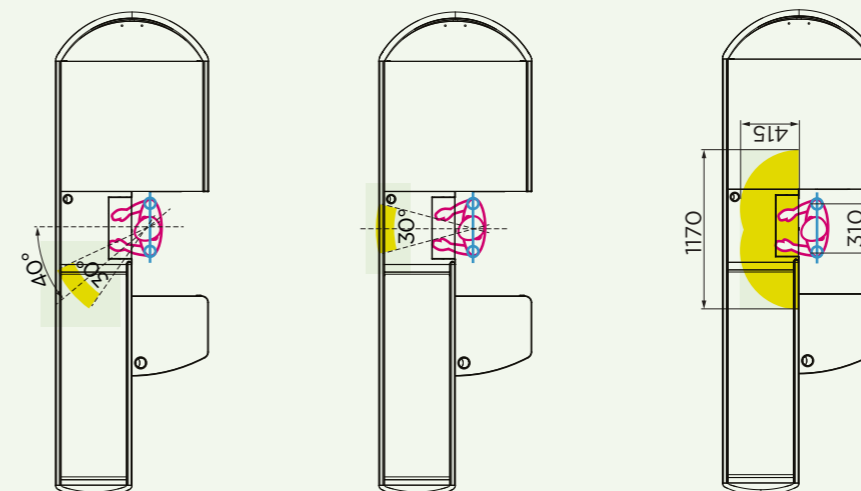
The design of spaces, the arrangement of equipment and accessories have an impact on posture, joints and muscles.

To ensure maximum compliance with the ergonomic requirements of current standards, we cooperate with **Ergocert**, an internationally accredited body that certifies **usability** and **user experience** for all models we produce.

The **number of the certificate of conformity** is given for each individual model on the presentation page.



Leg compartment section for standing posture with and without aid and sitting posture.



Arm movement area; field-of-view limits; field-of-view limits with trunk rotation.

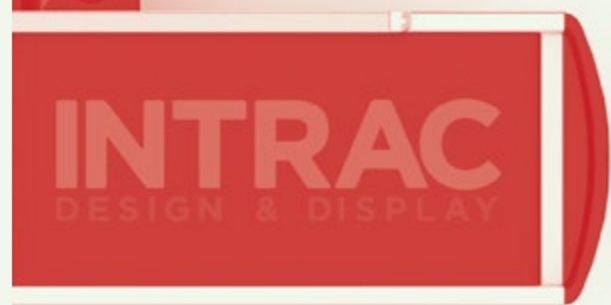
# OPTIONAL

Customize the basic configuration of your checkout counter by choosing from our options.



## Cash management

Our checkout counters are compatible with any state-of-the-art cash management solution. Payment is made in complete security with simplified systems for the customer and the operator.



## Conveyor belt

The conveyor belt can be customised with the customer's logo by means of a vulcanisation process that ensures strength and durability.



## Trolley blocking device

The trolley blocking device in the Diva checkout counter is integrated into the leg of the unit to maintain a clean and elegant design.



## Differently able

The models in the Diva variant H line allow accessibility for differently-abled persons thanks to a support surface positioned at the end of the counter, designed to facilitate picking up and bagging groceries.





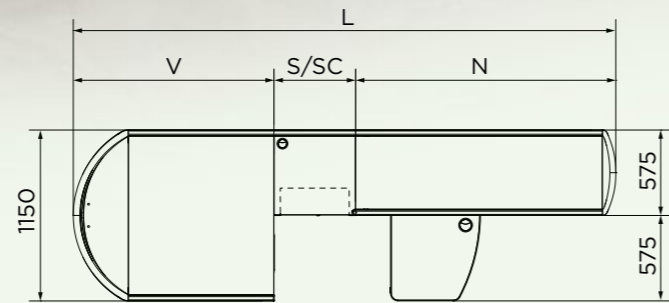
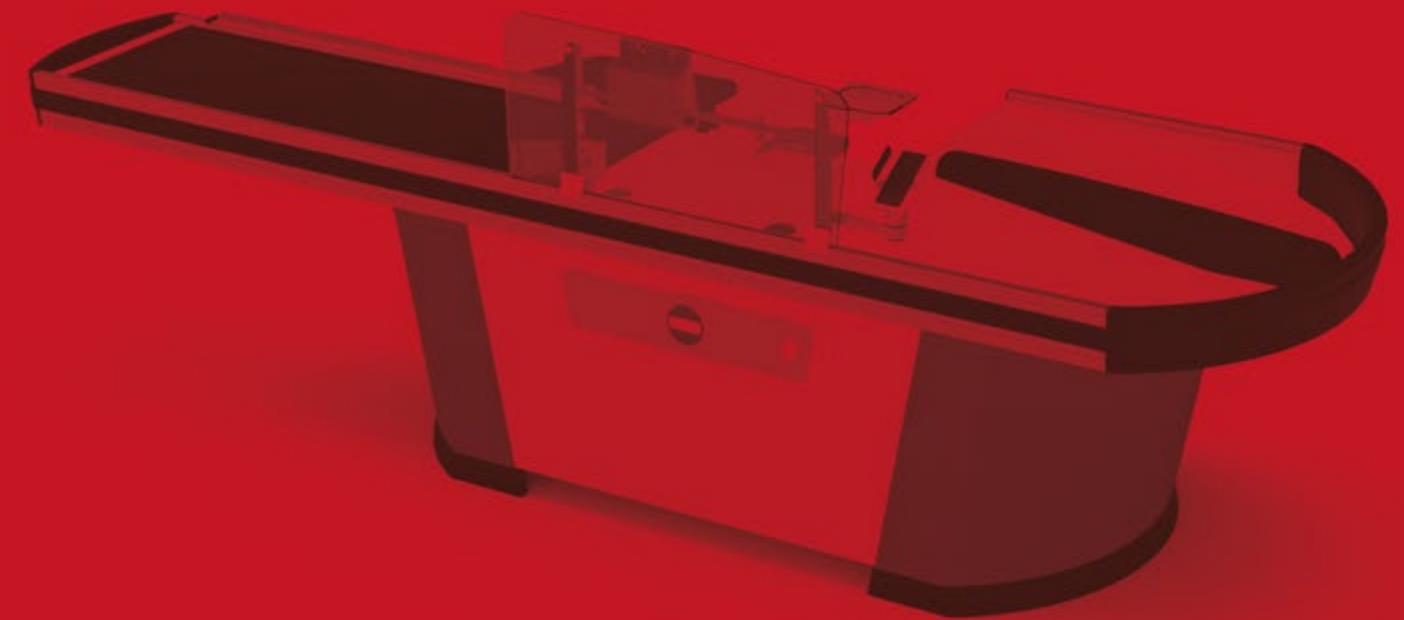
# NSV NSCV

Elegance adaptable to every point of sale

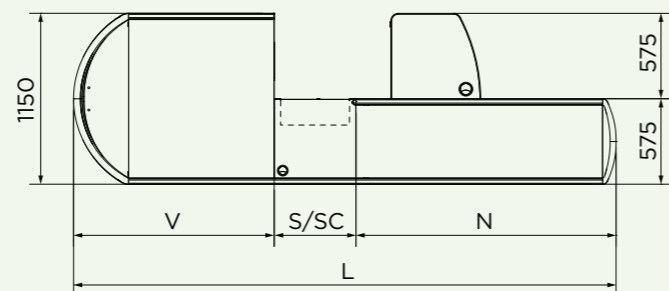
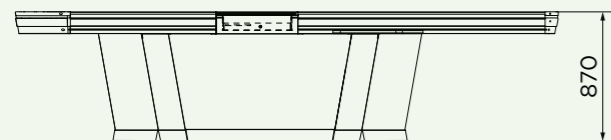
Checkout counter with motorized belt, central module with scanner (NSV) and/or drawer (NSCV). Double two-customer bagging area with rounded shape. The wide range of available sizes makes this model suitable for small, medium and large areas.



NSV CERTIFICATION NO. 636  
NSCV CERTIFICATION NO. 637



● R  
● L



## Measurements

L (mm)	N NSV/NSCV (mm)	S/SC (mm)	V (mm)	Average receipt	Area
2250	1150/950	350/550	750	<20€ - 20÷40€	SUPERSTORE MINIMARKET SPECIALIZED SHOP
2450	1350/1150	350/550	750	<20€ - 20÷40€	
2650	1350/1150	350/550	950	<20€ - 20÷40€	
2850	1550/1350	350/550	950	<20€ - 20÷40€	
3050	1750/1550	350/550	950	<20€ - 20÷40€	
3250	1750/1550	350/550	1150	<20€ - 20÷40€	HYPERSTORE SUPERSTORE DISCOUNT
3450	1950/1750	350/550	1150	20÷40€ >40€	
3650	1950/1750	350/550	1350	20÷40€ >40€	
3850	2150/1950	350/550	1350	20÷40€ >40€	
4050	2350/2150	350/550	1350	20÷40€ >40€	
4250	- /2350	- /550	1350	20÷40€ >40€	

All models can be used in all areas



# NSV BtB

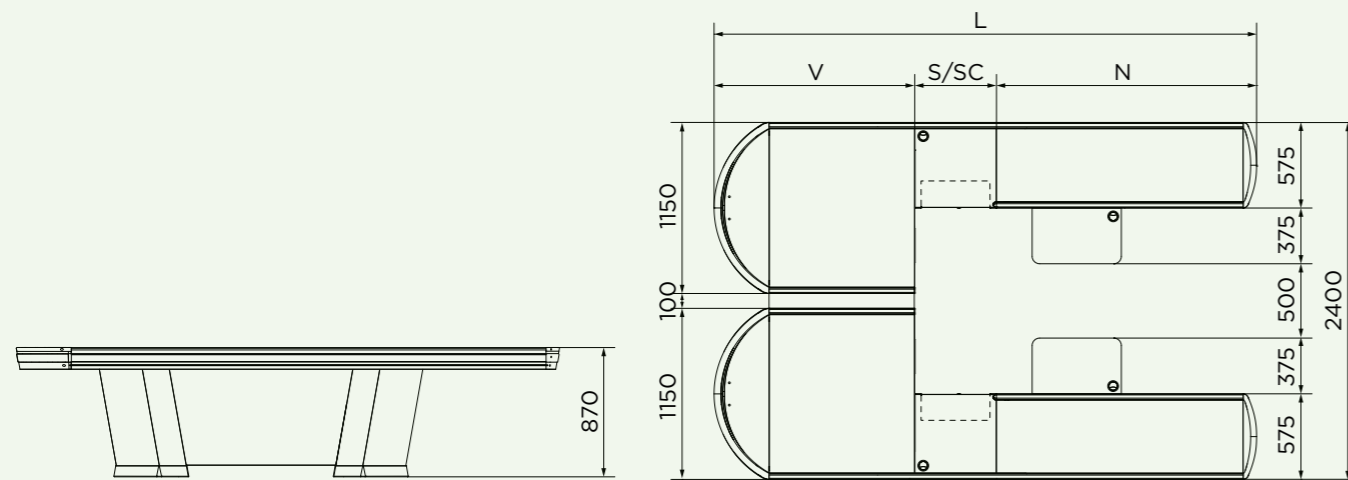
# NSCV BtB

## Protected and secure operator station

The BtB model provides for the coupling of a R and L checkout counter, with motorized belt and scanner hole (NSV) and/or drawer (NSCV) predisposition. Double rounded bagging area. The central work area allows operators to perform their tasks safely according to ergonomic criteria.



NSV BtB CERTIFICATION NO. 636  
NSCV BtB CERTIFICATION NO. 637



## Measurements

L (mm)	N NSV/NSCV (mm)	S/SC (mm)	V (mm)	Average receipt	Area
2250	1150/950	350/550	750	<20€ - 20÷40€	SUPERSTORE MINIMARKET SPECIALIZED SHOP
2450	1350/1150	350/550	750	<20€ - 20÷40€	
2650	1350/1150	350/550	950	<20€ - 20÷40€	
2850	1550/1350	350/550	950	<20€ - 20÷40€	
3050	1750/1550	350/550	950	<20€ - 20÷40€	
3250	1750/1550	350/550	1150	<20€ - 20÷40€	HYPERSTORE SUPERSTORE DISCOUNT
3450	1950/1750	350/550	1150	20÷40€ >40€	
3650	1950/1750	350/550	1350	20÷40€ >40€	
3850	2150/1950	350/550	1350	20÷40€ >40€	
4050	2350/2150	350/550	1350	20÷40€ >40€	
4250	- /2350	- /550	1350	20÷40€ >40€	

All models can be used in all areas



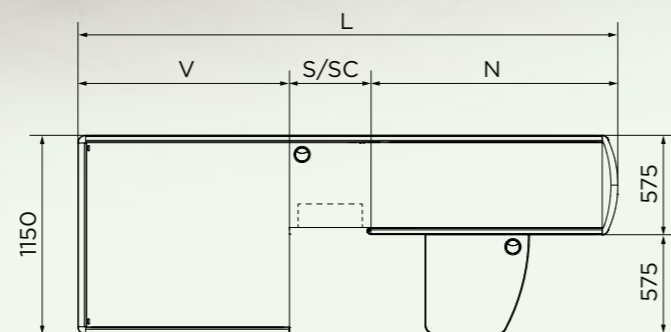
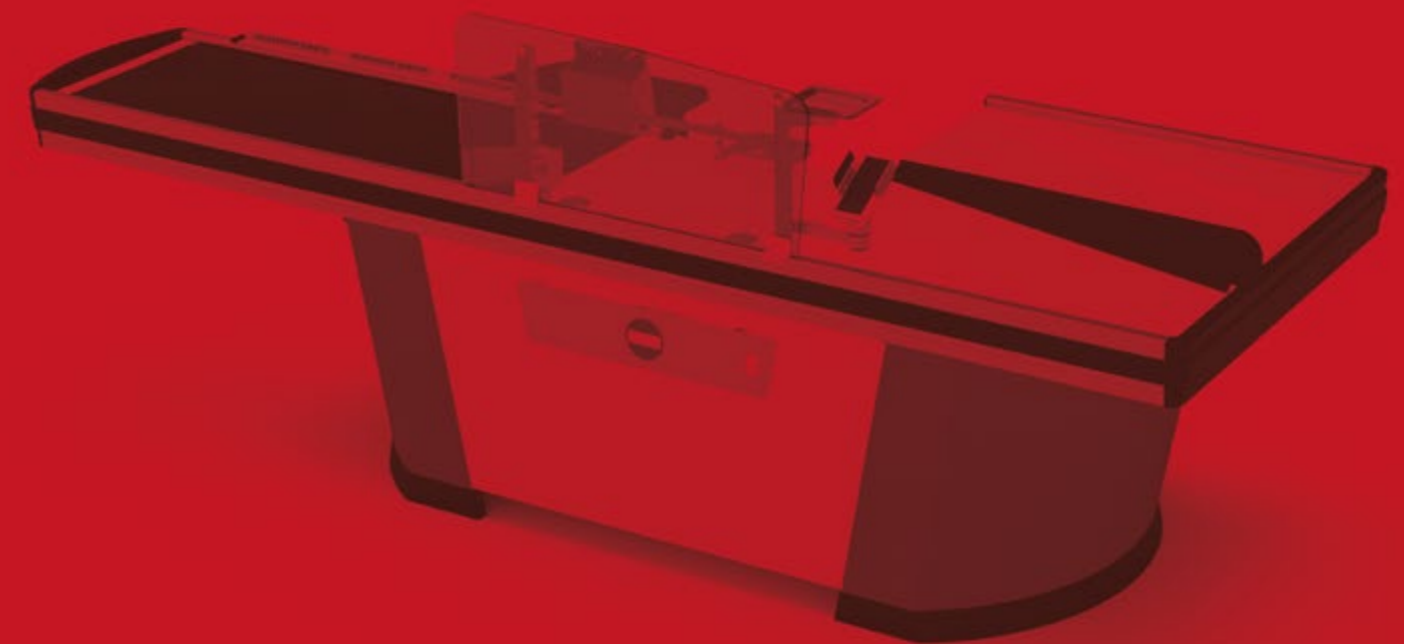
# H NSV H NSCV

The perfect combination of rounded and square shapes

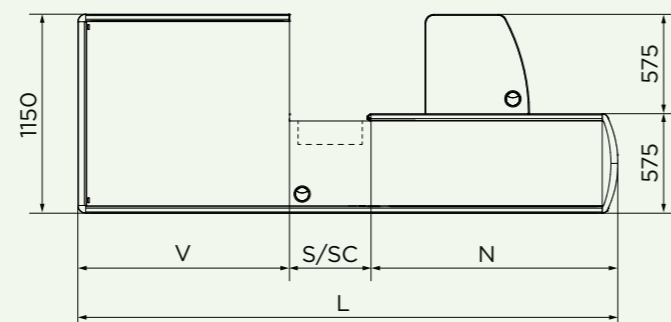
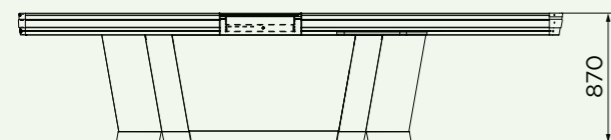
Checkout counter with motorized belt, prepared to accommodate a scanner (NSV) and/or drawer (NSCV), double square bagging area for two customers. Wide choice of sizes available depending on the average receipt and the sales area to be set up.



H NSV CERTIFICATION NO. 646  
H NSCV CERTIFICATION NO. 647



● R  
● L



## Measurements

L (mm)	N NSV/NSCV (mm)	S/SC (mm)	V (mm)	Average receipt	Area
2125	1150/950	350/550	625	<20€ - 20÷40€	SUPERSTORE MINIMARKET SPECIALIZED SHOP
2325	1350/1150	350/550	625	<20€ - 20÷40€	
2525	1350/1150	350/550	825	<20€ - 20÷40€	
2725	1550/1350	350/550	825	<20€ - 20÷40€	
2925	1750/1550	350/550	825	<20€ - 20÷40€	
3125	1750/1550	350/550	1025	<20€ - 20÷40€	HYPERSTORE SUPERSTORE DISCOUNT
3325	1950/1750	350/550	1025	20÷40€ >40€	
3525	1950/1750	350/550	1225	20÷40€ >40€	
3725	2150/1950	350/550	1225	20÷40€ >40€	
3925	2350/2150	350/550	1225	20÷40€ >40€	
4125	- /2350	- /550	1225	20÷40€ >40€	

All models can be used in all areas





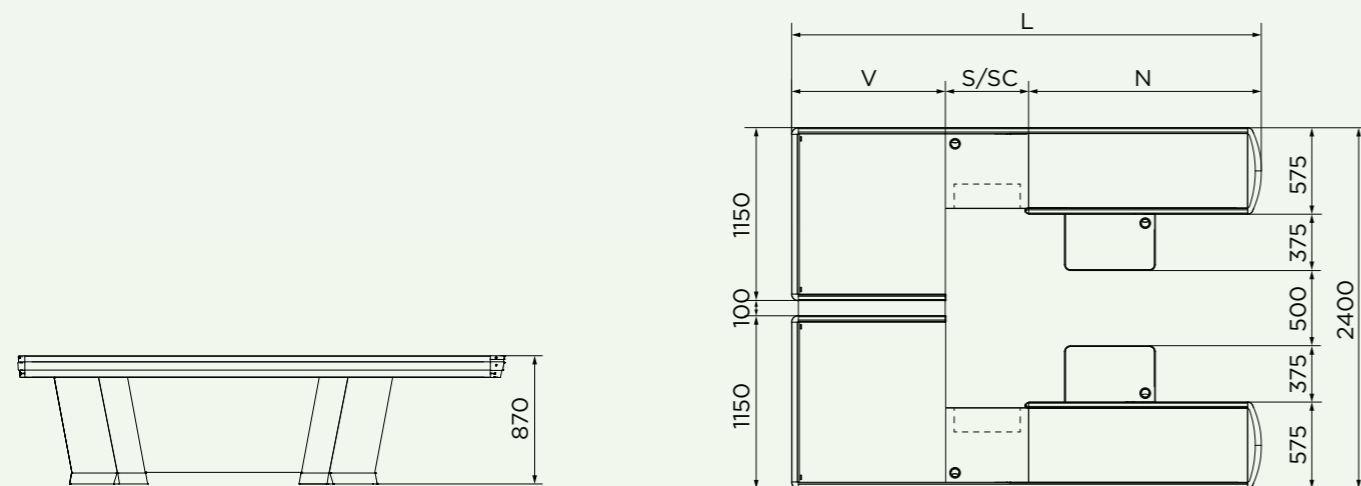
# H NSV BtB      H NSCV BtB

## Flexibility and operational versatility

The BtB model provides for the coupling of a R and L checkout counter, with motorized belt, central module with scanner hole (NSV) and/or drawer (NSCV). Double square bagging area. Operators work in a protected space that meets the needs of right- and left-handers equally well.



H NSV BtB CERTIFICATION NO. 646  
H NSCV BtB CERTIFICATION NO. 647



## Measurements

L (mm)	N NSV/NSCV (mm)	S/SC (mm)	V (mm)	Average receipt	Area
2125	1150/950	350/550	625	<20€ - 20÷40€	SUPERSTORE MINIMARKET SPECIALIZED SHOP
2325	1350/1150	350/550	625	<20€ - 20÷40€	
2525	1350/1150	350/550	825	<20€ - 20÷40€	
2725	1550/1350	350/550	825	<20€ - 20÷40€	
2925	1750/1550	350/550	825	<20€ - 20÷40€	
3125	1750/1550	350/550	1025	<20€ - 20÷40€	
3325	1950/1750	350/550	1025	20÷40€ >40€	HYPERSTORE SUPERSTORE DISCOUNT
3525	1950/1750	350/550	1225	20÷40€ >40€	
3725	2150/1950	350/550	1225	20÷40€ >40€	
3925	2350/2150	350/550	1225	20÷40€ >40€	
4125	- /2350	- /550	1225	20÷40€ >40€	

All models can be used in all areas



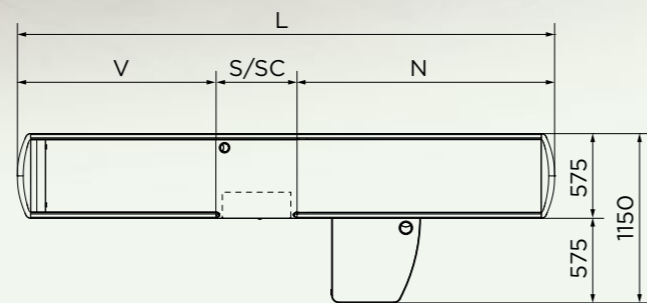
# NSVD NSCVD

## More checkouts in less space

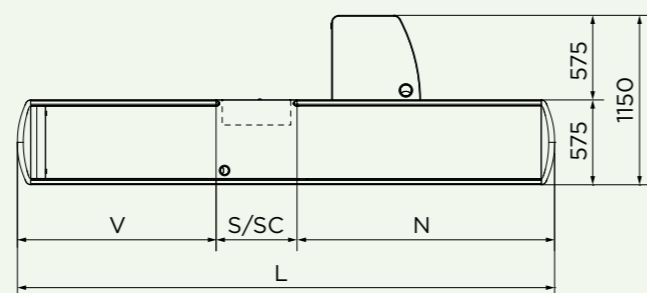
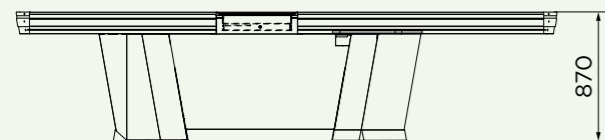
Checkout counter with conveyor belt, scanner hole (NSVD) and/or drawer (NSCVD). Straight single-customer bagging area. This model is mainly used in discount shops and is the optimal solution to complete the checkout barrier where space is at a premium.



NSVD CERTIFICATION NO. 638  
NSCVD CERTIFICATION NO. 639



- R
- L



## Measurements

L (mm)	N NSVD/NSCVD (mm)	S/SC (mm)	V (mm)	Average receipt	Area
2250	1150/950	350/550	750	<20€ - 20÷40€	SUPERSTORE MINIMARKET SPECIALIZED SHOP
2450	1350/1150	350/550	750	<20€ - 20÷40€	
2650	1350/1150	350/550	950	<20€ - 20÷40€	
2850	1550/1350	350/550	950	<20€ - 20÷40€	
3050	1750/1550	350/550	950	<20€ - 20÷40€	
3250	1750/1550	350/550	1150	<20€ - 20÷40€	HYPERSTORE SUPERSTORE DISCOUNT
3450	1950/1750	350/550	1150	20÷40€ >40€	
3650	- /1750	- /550	1350	20÷40€ >40€	
3850	- /1950	- /550	1350	20÷40€ >40€	
4050	- /2150	- /550	1350	20÷40€ >40€	
4250	- /2350	- /550	1350	20÷40€ >40€	
4250	- /2350	- /550	1350	20÷40€ >40€	

All models can be used in all areas



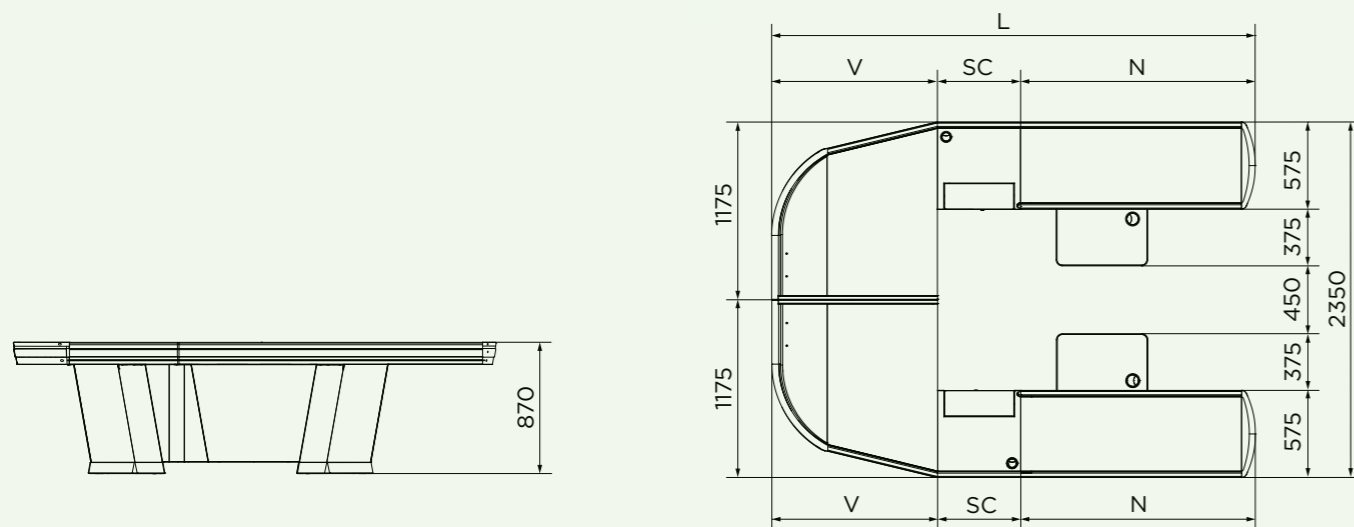
# TWIN CS

**Maximum protection for the operator and more space for the customer**

By combining a R and L checkout counter, the TWIN CS model offers operators a shared, protected and extremely functional work area. For the end customer, the space available in the rear bagging area module increases, for greater comfort.



TWIN CS CERTIFICATION NO. 640



## Measurements

L (mm)	N (mm)	SC (mm)	V (mm)	Average receipt	Area
3250	1550	550	1150	20÷40€ >40€	HYPERSTORE SUPERSTORE
3450	1550	550	1350	20÷40€ >40€	
3650	1750	550	1350	20÷40€ >40€	All models can be used in all areas
3850	1950	550	1350	20÷40€ >40€	



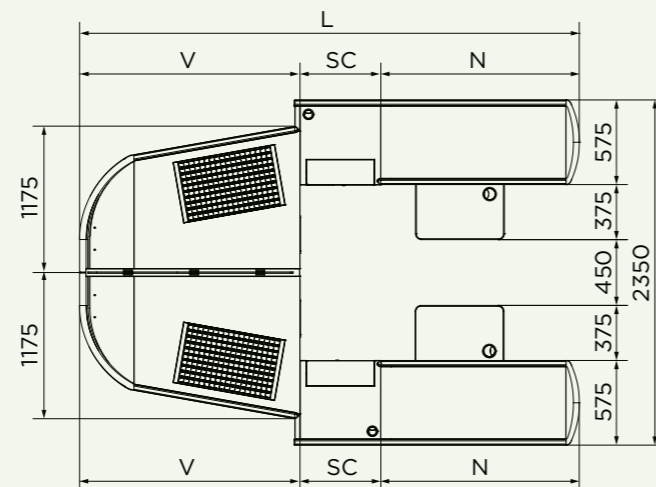
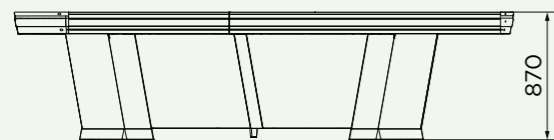
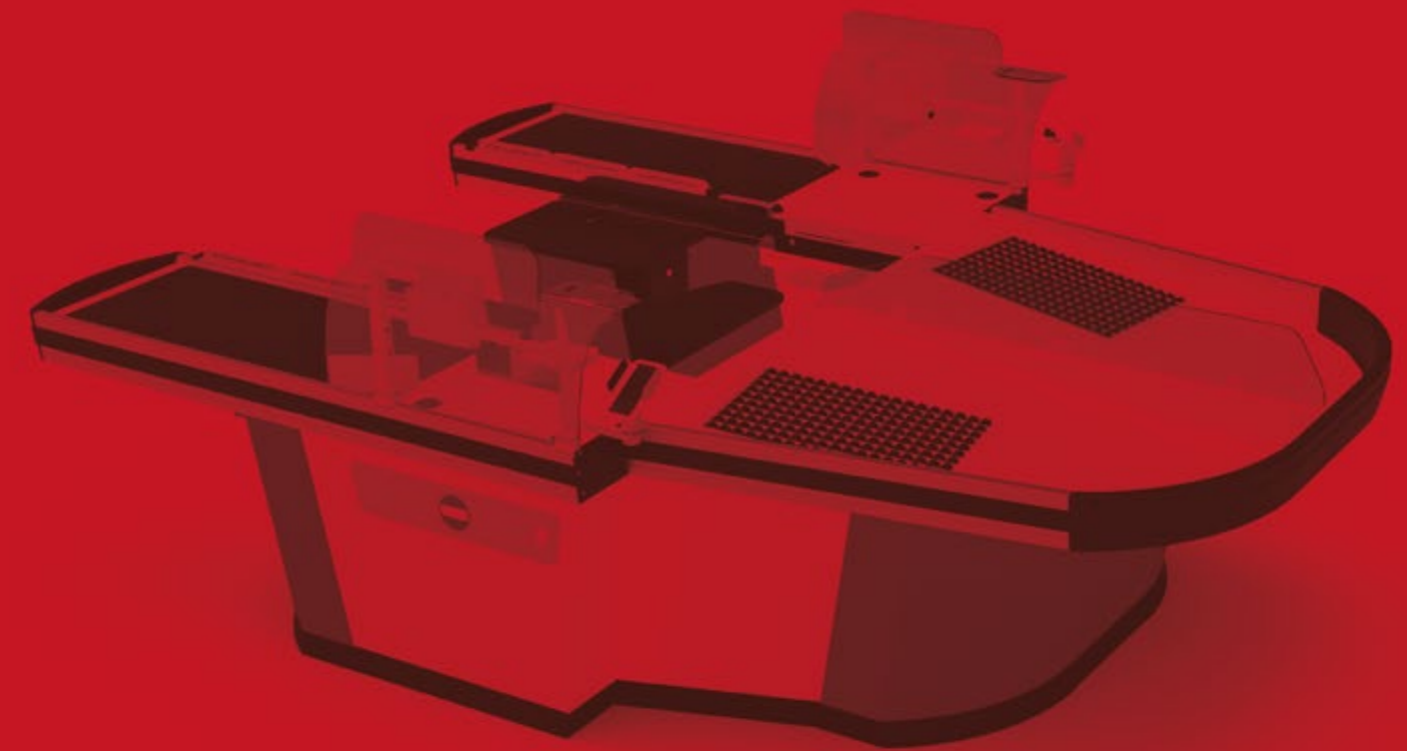
# TWIN C

## Fast and easy bagging of purchases

A pair of checkout counters designed to facilitate the bagging of groceries: the groove in the rear module is prepared for the insertion of a manual bagger, while the elongated bagging area, with integrated roller conveyor, facilitates the sliding of purchased products.



TWIN C CERTIFICATION NO. 641



## Measurements

L (mm)	N (mm)	SC (mm)	V (mm)	Average receipt	Area
3450	1350	550	1550	20÷40€ >40€	HYPERSTORE SUPERSTORE
3650	1550	550	1550	20÷40€ >40€	
3850	1750	550	1550	20÷40€ >40€	
4050	1950	550	1550	20÷40€ >40€	
4250	2150	550	1550	20÷40€ >40€	

All models can be used in all areas



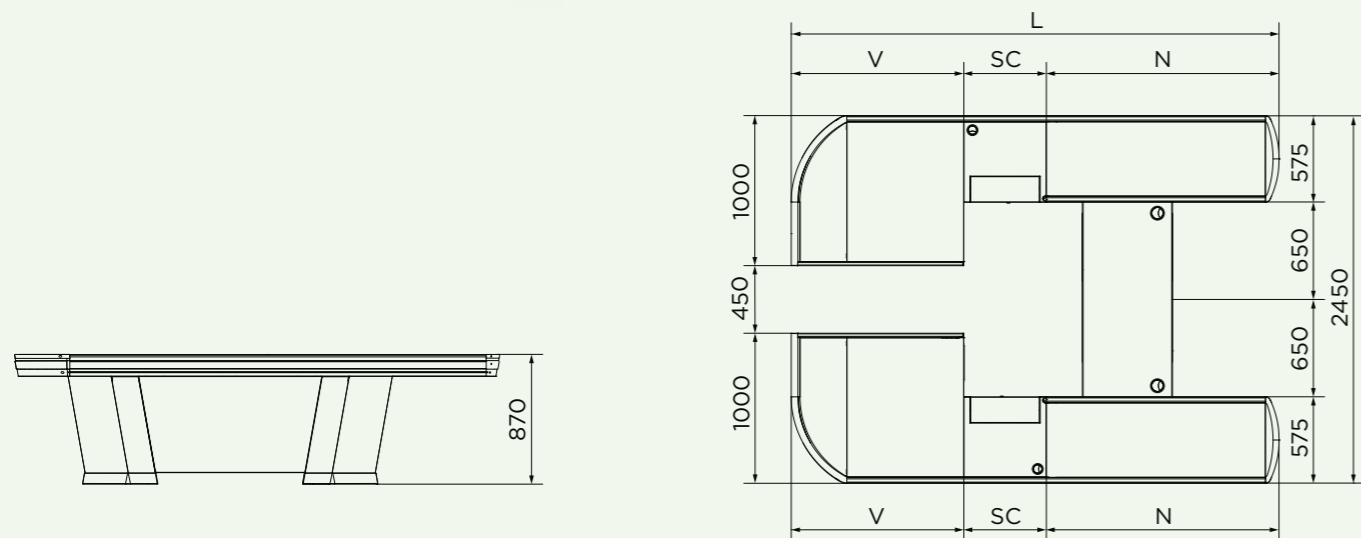
# TWIN F1

## Compact checkout counters for large areas

Pair of R and L checkout counters placed side by side with the operator's entrance provided in the rear module, with a minimum width of 450 mm, in order to leave space for a wider and more comfortable bagging area for the end customer. Suitable solution for large areas, hyperstores and superstores.



TWIN F1 CERTIFICATION NO. 642



## Measurements

L (mm)	N (mm)	SC (mm)	V (mm)	Average receipt	Area
3250	1550	550	1150	20÷40€ >40€	HYPERSTORE SUPERSTORE
3450	1750	550	1150	20÷40€ >40€	
3650	1750	550	1350	20÷40€ >40€	
3850	1950	550	1350	20÷40€ >40€	
4050	2150	550	1350	20÷40€ >40€	

All models can be used in all areas



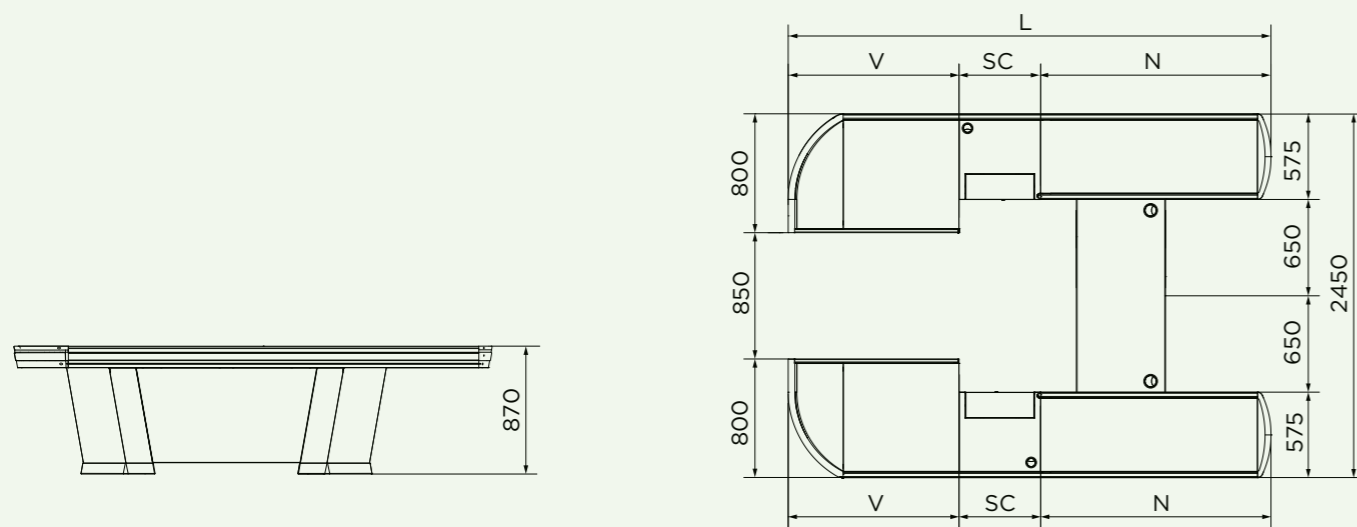
# TWIN F2

## Operator area with spacious entrance

Pair of R and L checkout counters placed side by side with 850 mm operator entrance in the rear module. The bagging area width is reduced to 800 mm for the benefit of the passage width. Suitable solution for large areas, hyperstores and superstores.



TWIN F2 CERTIFICATION N° 643



## Measurements

L (mm)	N (mm)	SC (mm)	V (mm)	Average receipt	Area
3250	1550	550	1150	20÷40€ >40€	HYPERSTORE SUPERSTORE
3450	1750	550	1150	20÷40€ >40€	
3650	1750	550	1350	20÷40€ >40€	
3850	1950	550	1350	20÷40€ >40€	
4050	2150	550	1350	20÷40€ >40€	

All models can be used in all areas



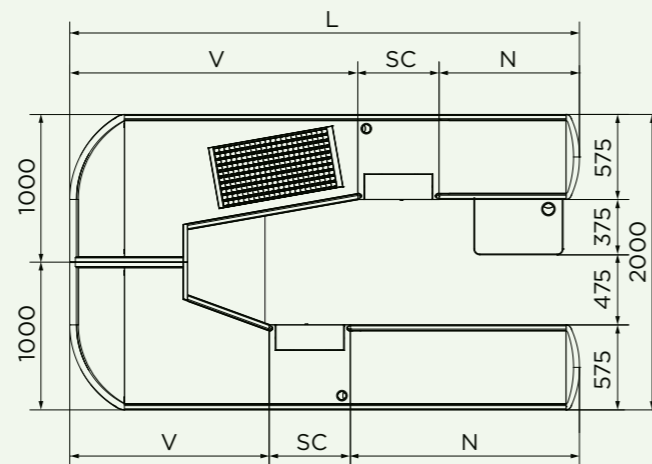
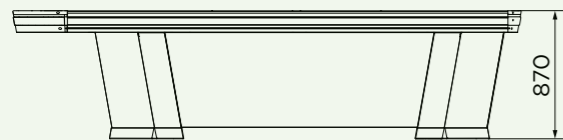
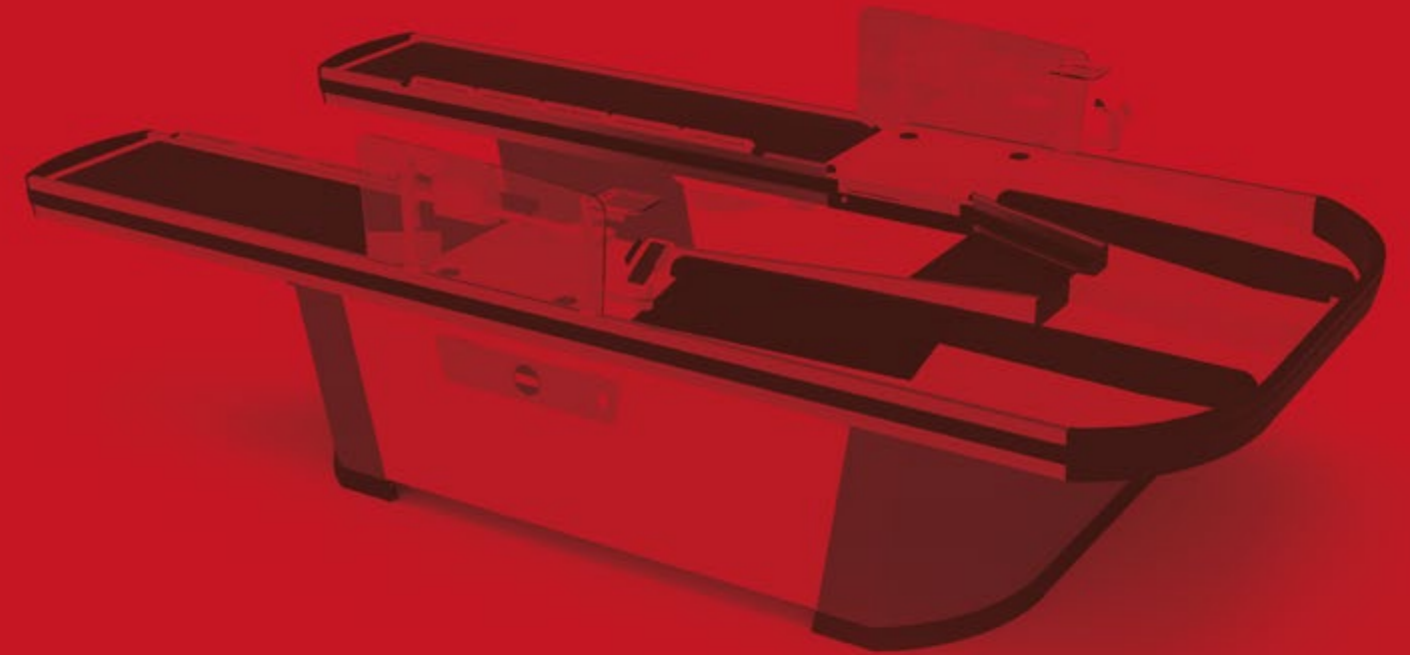
# TWIN B

## Maximum optimisation of barrier space

The TWIN B model responds to the need to keep the R and L checkout counters side by side, saving space in width. The work area reserved for operators is reduced, ensuring smooth operation and maximum ergonomic movements at both checkout counters, even though the equipment is not symmetrical.



TWIN B CERTIFICATION NO. 644



## Measurements

L (mm)	N R/L (mm)	SC (mm)	V R/L (mm)	Average receipt	Area
3450	950/1550	550	1950/1350	20÷40€ >40€	HYPERSTORE SUPERSTORE
3650	1150/1750	550	1950/1350	20÷40€ >40€	
3850	1350/1950	550	1950/1350	20÷40€ >40€	
4050	1550/2150	550	1950/1350	20÷40€ >40€	
4250	1750/2350	550	1950/1350	20÷40€ >40€	

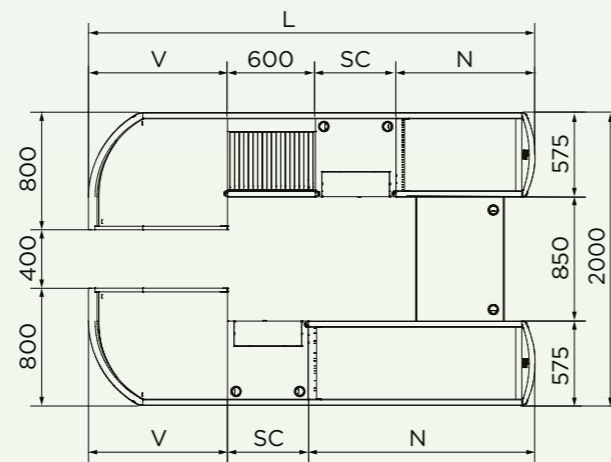
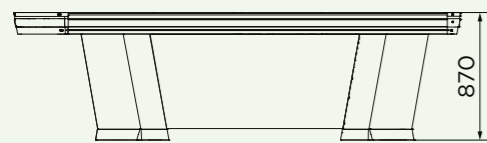
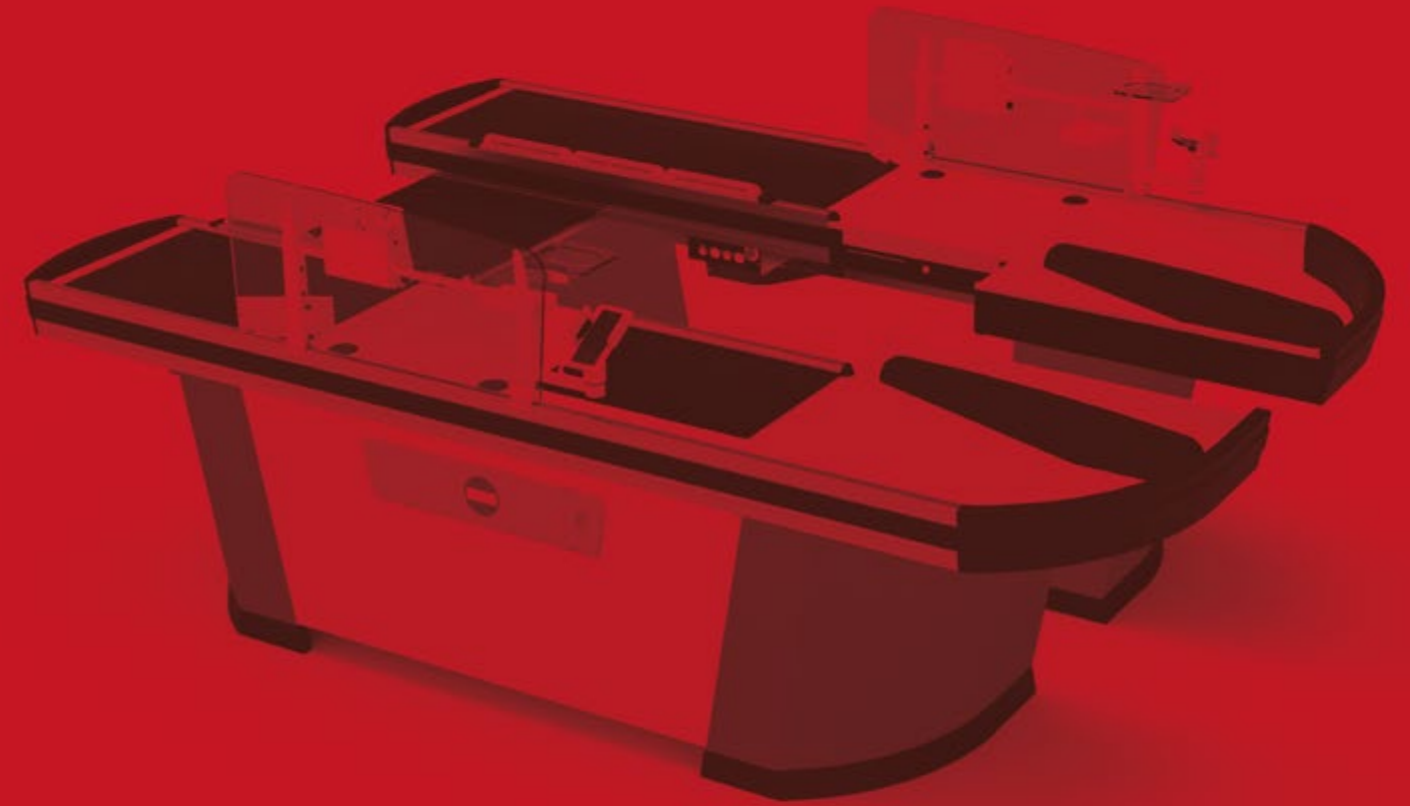
All models can be used in all areas



# TWIN B1

## More space for impulse purchases

The TWIN B1 model saves space in width by meeting the need to keep R and L checkout counters side by side. Access for operators from the rear module leaves space at the front for promotional displays dedicated to impulse buying.



## Measurements

L (mm)	N R/L (mm)	SC (mm)	V (mm)	Average receipt	Area
2850	950/1550	550	750	<20€ - 20÷40€	SUPERSTORE MINIMARKET SPECIALIZED SHOP
3050	950/1550	550	950	<20€ - 20÷40€	
3250	1150/1750	550	950	<20€ - 20÷40€	
3450	1350/1950	550	950	20÷40€ >40€	HYPERSTORE SUPERSTORE DISCOUNT
3650	1350/1950	550	1150	20÷40€ >40€	
3850	1550/2150	550	1150	20÷40€ >40€	
4050	1750/2350	550	1150	20÷40€ >40€	
4250	1950/2550	550	1150	20÷40€ >40€	
4450	1950/2550	550	1350	20÷40€ >40€	
4650	2150/2750	550	1350	20÷40€ >40€	All models can be used in all areas
4850	2350/2950	550	1350	20÷40€ >40€	





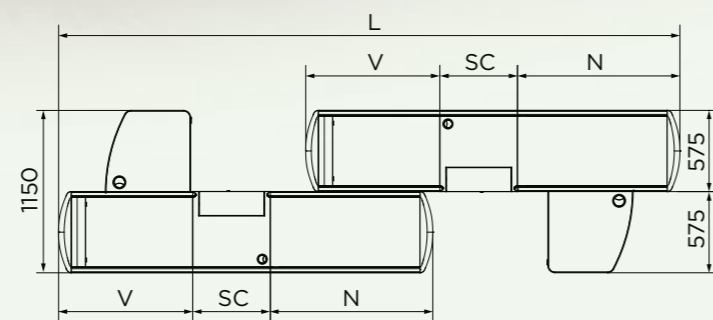
# TANDEM

## Reduced dimensions with equal efficiency

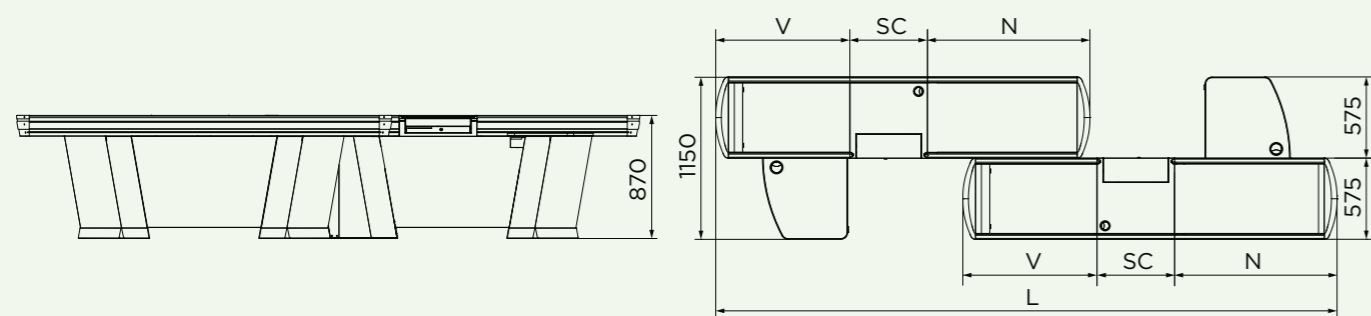
The combination in TANDEM of two R and L checkout counters with a straight bagging area, placed side by side and staggered, is the recommended solution for a reduced footprint in width with the same efficiency. TANDEM qualifies as a versatile model suitable for various types of commercial surfaces and areas.



TANDEM CERTIFICATION NO. 645



● R  
● L



## Measurements

L (mm)	N (mm)	SC (mm)	V (mm)	Average receipt	Area
3800	950	550	750	<20€ - 20÷40€	HYPERSTORE SUPERSTORE MINIMARKET SPECIALIZED SHOP
4000	950	550	950	<20€ - 20÷40€	
4400	1150	550	950	<20€ - 20÷40€	
4600	1150	550	1150	<20€ - 20÷40€	
5000	1350	550	1150	<20€ - 20÷40€	
5350	1550	550	1150	<20€ - 20÷40€	All models can be used in all areas

# PHOTO GALLERY

The checkout counters of the DIVA line fit easily into any point of sale as true furnishing elements, guaranteeing high standards of quality and performance. Browse the gallery on our website to see all our designs.



**INTRAC**<sup>®</sup>  
DESIGN & DISPLAY

Via A. Grandi, 24  
45100 Rovigo - Italy

Tel. +39 0425 363666  
amministr@pec.intrac.it  
[www.intrac.it](http://www.intrac.it)



cod. 34905003EN